

Food slicers

330 mm Gravity Slicer, belt transmission, automatic

ITEM # _____

MODEL # _____

NAME # _____

SIS # _____

AIA # _____


603329 (FM33B)

Gravity slicer, automatic with slice counter, blade diameter 330 mm belt transmission - 4 speeds and 3 strokes

Short Form Specification

Item No. _____

Base and main components in high polished satin finished anodized aluminium for long lasting, hygiene and ease of cleaning. The blade is in hollow ground hard chrome with blade guard ring for added protection. Model equipped with cut thickness adjusting knob, top mounted sharpener, cover blade and product deflector - easily removable for cleaning. Ventilated blade drive motor. Poly V-belt drive system for quiet operation and economical service. Removable carriage system permanently lubricated with automatic clutch. IP42 water protection.

Supplied with blade removal tool and electric counting device.

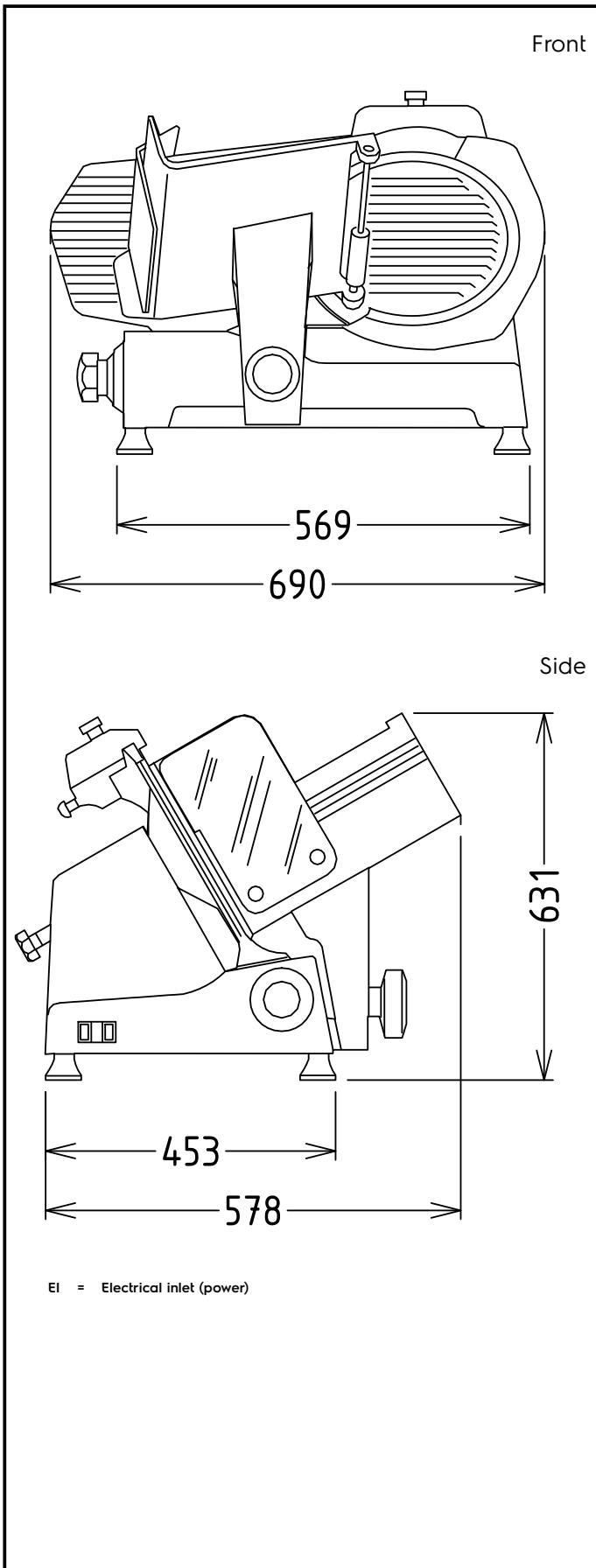
Main Features

- Gravity slicer with slice counter, manual or fully automatic operation.
- Slice thickness from 0 to 24 mm.
- Cut thickness-adjusting knob (millimeter adjustment).
- Belt driven transmission.
- Ventilated blade drive motor designed for continuous use, with Poly V-belt drive system for quiet operation and economical service.
- Removable carriage system permanently lubricated with automatic clutch.
- Top-mounted stone blade sharpener and cover blade easy to remove.
- Supplied with blade removal tool.
- Highest degree of safety in functioning, cleaning and maintenance.
- Cutting capacity for 330 mm model:
 - square: 130x130
 - rectangular: 130x255
 - round: 200

Construction

- Compact design.
- Made in high polished satin finished anodized aluminium. This procedure guarantees high hygienic standards of the parts interested by the cut and resistance to acids, salts and oxidation processes.
- The blade is made of hollow ground hard chrome with blade guard ring for added protection.
- Plexiglass safety hand guard as standard.
- IP67 complete waterproof.

APPROVAL: _____



Electric

Supply voltage: 230 V/1N ph/50 Hz
Total Watts: 0.38 kW

Key Information:

External dimensions, Width: 690 mm
External dimensions, Depth: 578 mm
External dimensions, Height: 531 mm
Net weight (kg): 55